

SF28HCBXTDM

Freezer Merchandiser

Project Name: _____

Item #: _____ Quantity: _____



| Width* | Depth** | Height*** | Shelves | Ship Weight | Ship Cube | Cooling Capacity | Electrical |
|-------------------|---------------|----------------|---------|-------------------|----------------------|------------------|--|
| 30 1/2" 775 mm | 31" 788 mm | 78" 1982 mm | 5 | 342 lbs 155 kg | 49 cu. ft 1.39 m3 | 1 HP | 115V/6.8 Amp/60 Hz - Single Phase - NEMA 5-15P, Dedicated Circuit |

*** Add 3/8" (10mm) for Threaded-In Levelers. Millimeters rounded up.

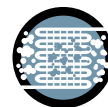
Premium Features



ProductTemp™



Digitally Controlled



Finless Free&Clear
Condenser Coil



Variable Speed
Compressor



LED Lighting System



Automatic Stainless Steel
Condensate Control System



Priority Air-Flow

SF28HCTDBXMHL: Designed to enhance the refrigerated storage or display experience to the highest standards of quality and performance.

Refrigeration:

- Advanced variable speed compressor for extended operational life and improved energy efficiency.
- Split forced-air refrigeration system employs R290 refrigerant within a sealed capillary tube system.
- Condensing unit is bottom-mounted and can be accessed from the front for ease of maintenance.
- Priority, directed air flow provides optimum cooling and energy efficiency through front of unit for optimized heat exchange ventilation.
- Finless, Free&Clear Condenser Coil maximizes air-flow over compressor, reduces energy consumption and is non-clogging.
- Corrosion resistant coated evaporator coil.
- Automatic, stainless steel condensate control system.
- Equipped with Energy Efficient Digital Controller featuring visual/audible product protection alarm. Freezers factory preset for -23.3°C (-10°F).
- Technologically advanced ProducTemp™ provides exterior product temperature display. Displays to a resolution within 1°.
- Energy-Saving, Time-Initiated, Temperature-Terminated Defrost System with Evaporator Fan Motor Delay during Defrost and Fan Motor Interrupt on Door Opening. Features Manual Defrost Override.
- Quality, self-lubricating and sealed motors with streamlined air-flow provide quieter yet robust refrigeration.
- Equipped with Digital Thermometer.

Cabinet:

- Exterior – durable textured black
- Interior – NSF approved white aluminum liner with stainless steel floor.
- Ergonomic raised interior floor.
- Insulation – cabinet is foamed-in-place with eco-conscious, polyurethane insulation.
- Heavy duty thread-in leveler legs.

Doors:

- Self-Closing Swing Doors feature hold-open position, and spring-back protection.
- Magnetic gaskets are single piece bead-mount construction easily removable for cleaning.
- Low energy, anti-fog film coated and insulated safety glass with black extruded frame, prevents frost.
- Integrated, injection molded pocket handle(s).

Lighting:

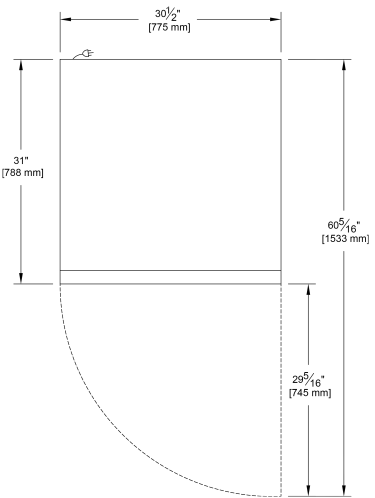
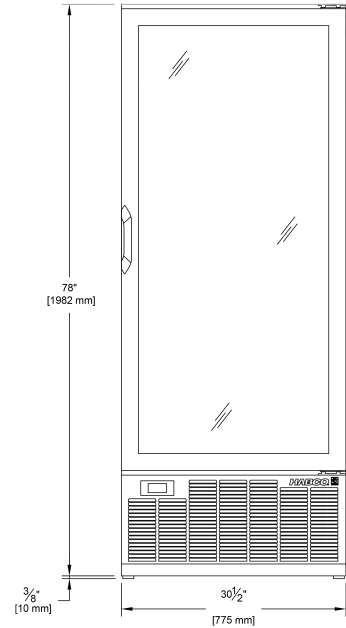
- Energy Efficient Full LED Array Lighting System for sparkling Illuminated Interior Display, on Switch.

Storage:

- Five (5) white coated shelves 25 1/4"W x 22"D (641mm x 559mm) are NSF approved.
- Heavy duty aluminum shelving pilasters will not peel or chip adjustment of 1/2" (13mm) increments.
- NSF-7 compliant for storage or display if pre-packaged aseptic product.

Electrical:

Factory power cord installed for connection to a sole-use (dedicated) 115V/60Hz/1-Phase, 15 Amp circuit.



HABCO MANUFACTURING INC. 501 GORDON BAKER ROAD, TORONTO, ONTARIO, CANADA, M2H 2S6
Toll Free CAN: 1-800-387-5398 USA: 1-800-448-0244 Fax: 416-491-6982 www.habcomfg.com