

SE40e

Sliding Door Display Refrigerator

Project Name: _____

Item #: _____ Quantity: _____



Width*	Depth**	Height***	Shelves	Cold Space™	Ship Weight	Ship Cube	Cooling Capacity	Electrical
47 1/2" 1207 mm	31" 788 mm	72 5/8" 1845 mm	6	40	378 lbs 171 kg	73 cu. ft 2.07 m ³	3/8+ HP	115V/4.2 Amp/60 Hz - Single Phase - NEMA 5-15P, Dedicated Circuit

** Add 1/4" (7mm) for Door Handles. *** Add 3/8" (10mm) for Threaded-In Levelers. Millimeters rounded up.

Premium Features



Easy-Glide Door System



Finless Free&Clear™
Condenser Coil



Automatic Stainless Steel
Condensate Control System



LED Lighting System



Priority Air-Flow

SE40e: Designed to enhance the refrigerated storage or display experience to the highest standards of quality and performance.

Refrigeration:

- Traditional non-removable, split forced-air refrigeration system employs R-134a refrigerant within a sealed capillary tube system.
- Condensing unit is bottom-mounted and can be accessed from the front for ease of maintenance.
- Designed to hold 33°F to 38°F (0.5°C to 3.3°C).
- Priority, directed air flow provides optimum cooling and energy efficiency through front of unit for optimized heat exchange ventilation.
- Finless, Free&Clear™ Condenser Coil maximizes air-flow over the compressor, reduces energy consumption and is non-clogging.
- Corrosion resistant coated evaporator coil.
- Automatic, stainless steel condensate control system.
- Quality, self-lubricating and sealed motors with streamlined air-flow provide quieter yet Arobust refrigeration.

Cabinet:

- Exterior – durable appliance white.
- Interior – NSF approved white aluminum liner with stainless steel covered corner floor.
- Ergonomic raised interior floor.
- Insulation – cabinet is foamed-in-place with eco-conscious, polyurethane insulation.
- Heavy duty thread-in leveler legs.

Doors:

- Easy-Glide, Self-Closing Sliding Doors are suspended on large nylon-tired roller bearings, with spring assist and magnetic cabinet side seals.
- Magnetic gaskets are single piece bead-mount construction easily removable for cleaning.
- Durable, injection molded external door handle(s).

Lighting:

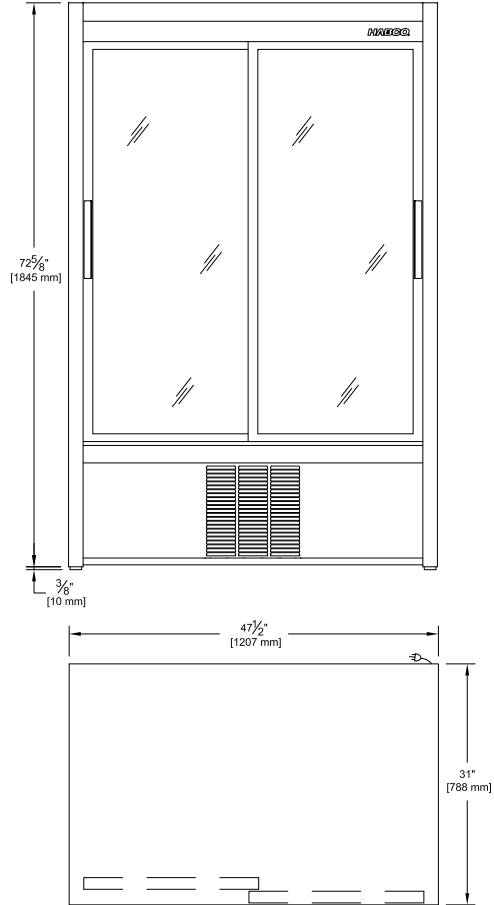
- Energy Efficient LED Lighting System for sparkling Illuminated Interior Display, on Switch.

Storage:

- Six (6) white coated shelves 21 1/2"W x 20 1/2"D (547mm x 521mm), are NSF approved.
- Heavy duty aluminum shelving pilasters will not peel or chip adjustment of 1/2" (13mm) increments.
- NSF-7 compliant for storage and display of open food product.

Electrical:

- Factory power cord installed for connection to a sole-use (dedicated) 115V/60Hz/1-Phase, 15 Amp circuit.



HABCO MANUFACTURING INC. 501 GORDON BAKER ROAD, TORONTO, ONTARIO, CANADA, M2H 2S6
 Toll Free CAN: 1-800-387-5398 USA: 1-800-448-0244 Fax: 416-491-6982 www.habcomfg.com